

GIS Epoxy Insulator Termination EGS 170 **System voltage: 170kV**

Page: 1/3

Date: 26th/Aug.2013

PRODUCT DESCRIPTION

GENERAL INFORMATION

- Dimensions and scope of delivery completely according to IEC 62271-209/2007 dry type termination, with L5=470mm/757mm version.
- Applicable for both single-phase and three-phase cable enclosures
- Applicable for gas insulated apparatus
- Plumbing for Mechanical and Electrical Connection between the bell and cable metallic screen
- Factory-tested Epoxy Insulator with embedded field controlling electrode
- Quick installation due to Plug-in design, can fix the Epoxy Insulator inside the GIS cable enclosure before commencing the work.
- Completely solid insulation (no gas or liquid insulating medium)
- Cable sheath electrically insulated from GIS cable enclosure
- More than 35 years service experience
- Maintenance free

BASIC COMPONENTS

- Pre-moulded and 100% factory-tested EPR stress cone
- Silver plated top connection
- Conductor connection with silver plated plug and Bal Seal Spring
- Stainless steel Spring system with stable force to keep stress cone fix on the cable well
- Stainless steel flange (for clamping insulator to GIS cable enclosure)
- Tinned copper end bell provided with earth connections for bonding leads
- Fixing materials

ADDITIONAL OPTIONS

- Dimensions and scope of delivery according to IEC 62271-209/2007, long version L5=757mm
- Optical Fibre outlet
- PD sensor

APPLICABLE STANDARDS:

- IEC 60840
- IEC 62271-209/2007
- GB11017-3/2002

**GIS Epoxy Insulator Termination
EGS 170**

Page: 2/3

System voltage: 170kV

Date: 26th/Aug.2013

TECHNICAL SPECIFICATION

AREA OF APPLICATION

maximum system voltage	170kV
cable conductor cross section range	
• copper round stranded or Milliken	240mm ² - 2500mm ²
• aluminum round stranded	240mm ² - 2500mm ²
• aluminum round solid	240mm ² - 2500mm ²
• maximum cable core diameter	100mm

ELECTRICAL

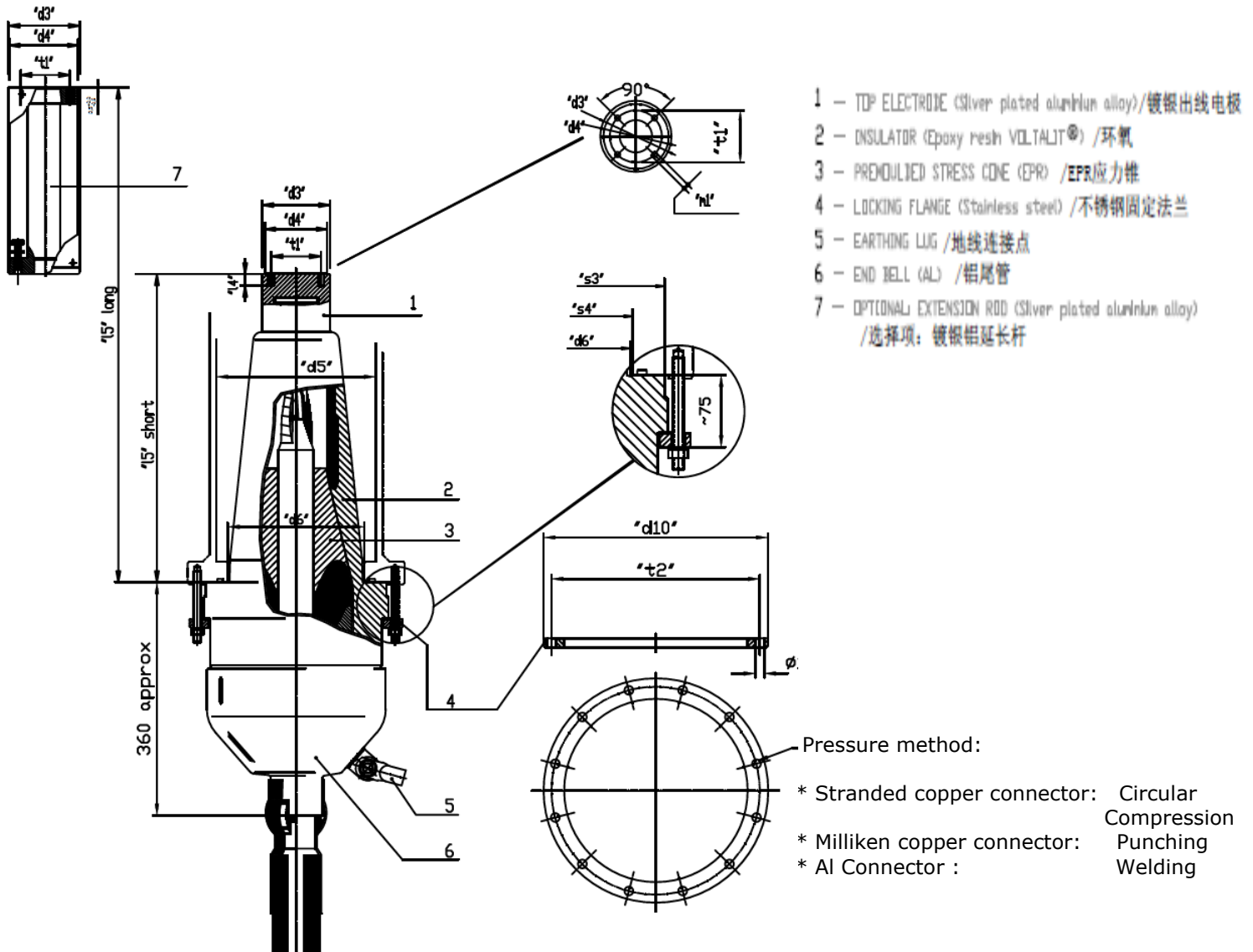
AC withstand voltage	
• IEEE 48 = 10 sec AC Wet withstand voltage	315kV
• IEEE 48 = 1 min AC Dry withstand	365kV
impulse withstand voltage (10+/10- impulses) (IEC60840)	750kV
maximum partial discharge level (IEC60840)	5pC at 131kV
stress cone electrical routine test in factory	
• AC voltage withstand test	300kV for 30min
• partial discharge test	<5pC at 190kV
current capacity	
• nominal operating current	limited by cable spec.
• standard short circuit current	63kA/1s

MISCELLANEOUS

approximate weight	100kg
total height	835mm/1120mm

GIS Epoxy Insulator Termination
EGS 170
System voltage: 170kV

TYPICAL DRAWING



Dimensions in compliance with IEC 62271-209 (2007)													
'l5'		'd3'	'd4'	'd5'	'd6'	'd9'	'l4'	'm1'	'n1'	's3'	's4'	't1'	't2'
Short	Long	(mm)	(mm)	(mm)	(mm)	(mm)	(mm)	thread	n°	(mm)	(mm)	(mm)	(mm)
470±1	757±1	110 +0/- 0,1	110	min 300	255 ±0,5	215	20	M10	12	298	227	80±0,3	320±0,5