

GIS Epoxy Insulator Termination
EGS 245/101
System voltage: 300kV

Page: 1/3

Date: 08/Aug/2017

PRODUCT DESCRIPTION

GENERAL INFORMATION

- Dimensions and scope of delivery are completely according to IEC62271-209 dry type, with L5=620mm version.
- Applicable for both single-phase and three-phase cable enclosures
- Applicable for gas insulated apparatus
- Plumb ensure effective mechanical and electrical connection
- Factory-tested Epoxy Insulator with embedded field controlling electrode which can be separated supplied to GIS manufacturer side
- Quick and easy installation due to Plug-in design
- Completely solid insulation (no gas or liquid insulating medium)
- Cable sheath electrically insulated from GIS cable enclosure
- More than 35 years service experience
- Maintenance free

BASIC COMPONENTS

- Pre-moulded and 100% factory-tested EPR stress cone
- Epoxy insulator with silver plated top connection
- Conductor connection with silver plated plug
- Stainless steel spring system keeps stress cone fix on the cable well
- Stainless steel flange (for clamping insulator to GIS cable enclosure)
- End bell provided with earth connections for bonding leads
- Fixing materials

ADDITIONAL OPTIONS

- Optical fibre outlet
- PD sensor
- Surge arrester

APPLICABLE STANDARDS

- IEC 62067
- IEC62271-209(Dry type)
- GB18890.1-18890.3/2002

GIS Epoxy Insulator Termination
EGS 245/101
System voltage: 300kV

Page: 2/3

Date: 08th/Aug/2017

TECHNICAL SPECIFICATION

APPLICATION RANGE

Maximum system voltage	300kV
Cable conductor cross section range	
Copper round stranded or Milliken	400mm ² - 2500mm ²
Aluminum round stranded	400mm ² - 2500mm ²
Aluminum round solid	400mm ² - 2500mm ²
Maximum cable insulation diameter (Prepared)	135.5mm

ELECTRICAL DATA

IEC 62067 15 min A.C. DRY withstand voltage	320kV
IEEE 48 = 1 min A.C. Dry withstand	460kV
Impulse withstand voltage (10+/10- impulses) (IEC62067)	1050kV
Maximum partial discharge level (IEC62067)	<5pC at 190kV

Stress cone electrical routine test in factory

AC voltage withstand test	400kV for 30min
Partial discharge test	<5pC at 280kV

Current capacity

Nominal operating current	Limited by cable spec.
Standard short circuit current	Limited by cable spec.

MISCELLANEOUS

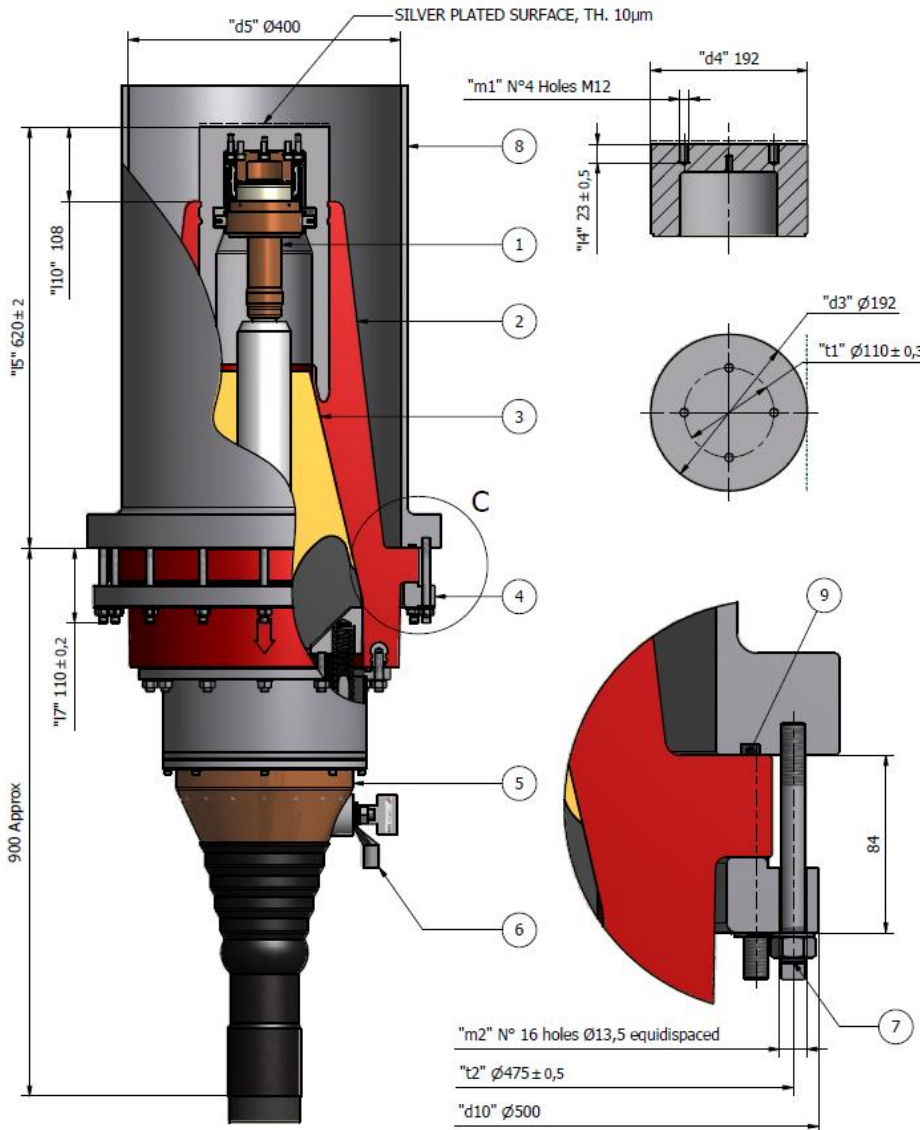
Approximate weight	200kg
Total height	1320mm/1660mm

GIS Epoxy Insulator Termination
EGS 245/101
System voltage: 300kV

Page: 3/3

Date: 08th/Aug/2017

TYPICAL DRAWING



- 1 — TOP CONNECTOR (Copper) /铜出线杆
- 2 — INSULATOR (Epoxy resin VOLTALIT®)
Dwg. 99.813.8.101 /环氧
- 3 — PREMOULDED STRESS CONE (Rubber) /EPR应力锥
- 4 — LOCKING FLANGE (Stainless steel) /不锈钢紧压环
- 5 — END BELL (Copper or Aluminium) /铜或铝尾管
- 6 — COMPRESSION TYPE EARTHING CONNECTOR (Copper)
/接地线连接点

Compression method:

- * Stranded copper conductor: Circular Dies
- * Milliken copper conductor: Punching
- * Al conductor: Welding